

# TONONE

technical specifications

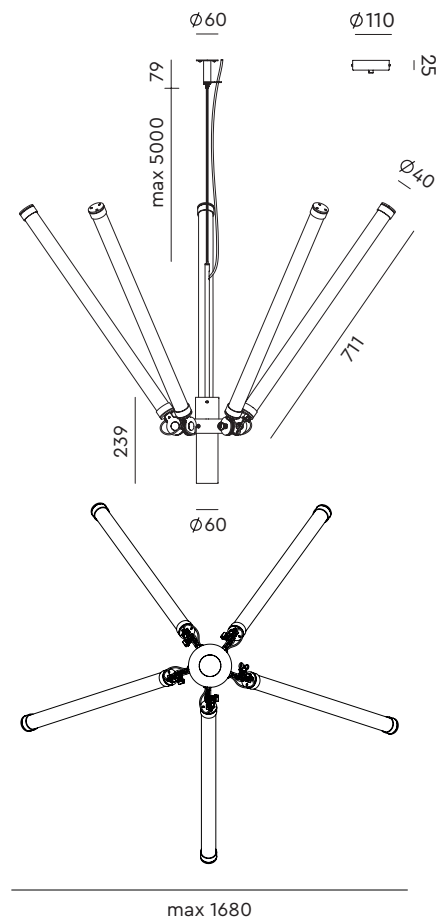
## MR. TUBES LED chandelier

Design by Anton de Groof, 2019



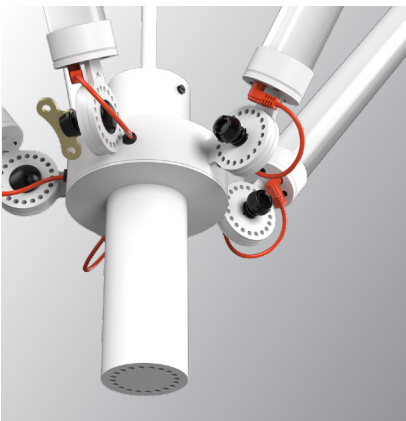
Mr. Tubes is a sturdy lamp design that combines pure functionality with graphical aesthetics. The black- or white coated steel construction holds the led tubes and gives the lamp an industrial look; a straightforward design suitable for various locations. The lamp is dimmable and the adjustable steel cables make it possible to hang the lamp at any height. Mr. Tubes is available as a pendant single, double, floor, wall and chandelier. Or build your own with the Mr. Tubes Led Connect.

Type	Chandelier lamp
Environment	Indoor
Material	Aluminum & steel
Cord length	Max. 5000 mm
Weight	7,1 kg
Voltage	220-240 V
Watt	40 Watt
IP	20
Lightsource	Integrated LED source
Kelvin / Lumen	2700 K   4025 lumen 4000 K   4025 lumen
CRI	>90
Dimmable	Phase cut dimmable
Packaging	
Length	100 cm
Width	27 cm
Height	42 cm



# TONONE

technical specifications



	2700 K	4000 K
● smokey black with black cords	4045	4046
○ pure white with orange cords	4050	4051

# TONONE

